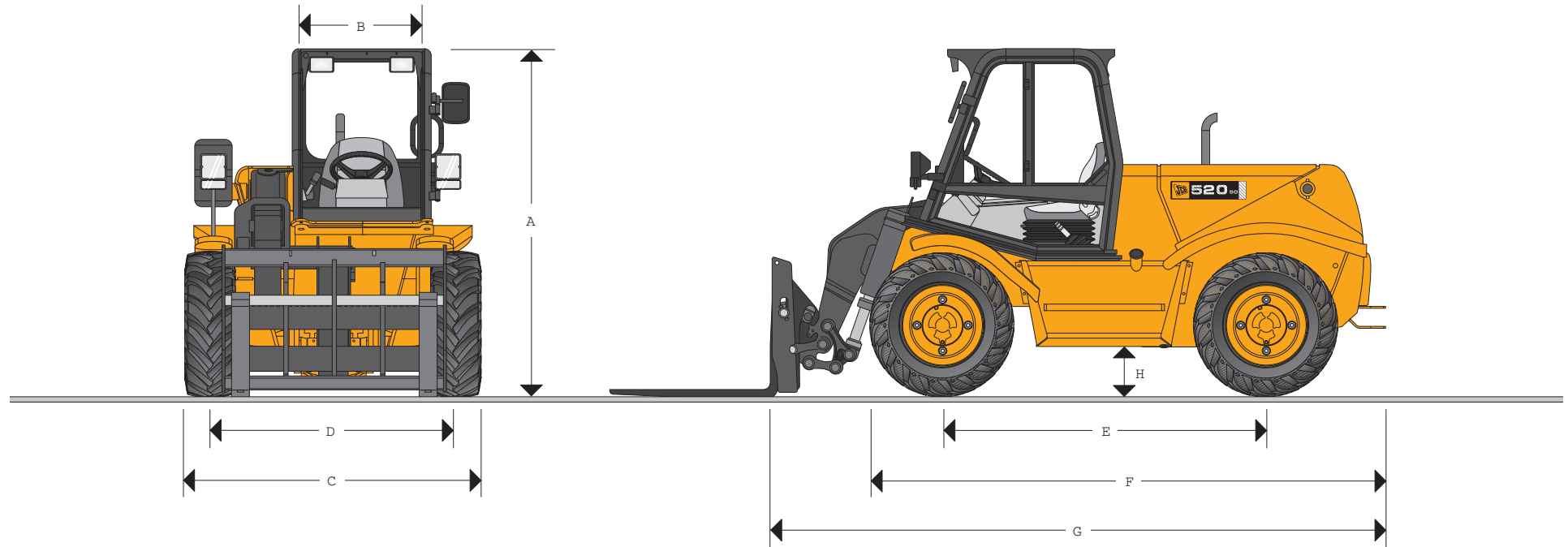


MAX. PAYLOAD: 2.0 tonnes (4409lb) MAX. LIFT HEIGHT: 5 metres (16ft 5in) MAX. HORSEPOWER: 61.5 kW (83hp)

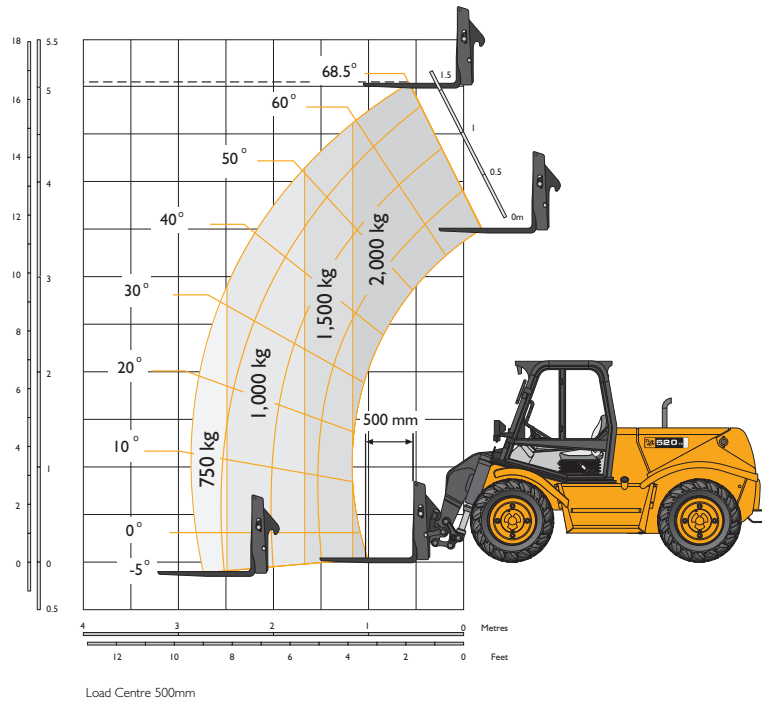


STATIC DIMENSIONS

Machine model	520-50
	m (ft-in)
A Overall height	2.12 (6-11)
B Inside width of cab	0.80 (2-7)
C Width over tyres (min)	1.84 (6-0)
D Front track	1.53 (5-0)
E Wheel base	2.00 (6-7)
F Overall length to front of tyres	3.08 (10-1)

Machine model	520-50
	m (ft-in)
G Overall length to front of carriage	3.59 (11-9)
H Ground clearance	0.30 (1-0)
Outer turn radius over tyres	3.10 (10-2)
Weight	kg (lb) 4870 (10736)
Tyres	10x18 10PR

LIFT PERFORMANCE



LIFT PERFORMANCE

Machine Model	520-50	
Lift capacity at full height	kg (lb)	2000 (4408)
Lift capacity at full reach	kg (lb)	750 (1653)
Max. lift height	mm (ft-in)	5000 (16-5)
Reach at max. lift height	mm (ft-in)	600 (2-0)
Maximum reach forward	mm (ft-in)	2820 (9-3)
Reach with 1 tonne load	mm (ft-in)	2540 (8-4)
Placing height	mm (ft-in)	4600 (15-1)

LOADER PERFORMANCE – Standard GP Bucket

Machine Model	520-50	
Bucket rated capacity	m ³ (yd ³)	0.7 (0.9)
Bucket struck capacity	m ³ (yd ³)	0.61 (0.8)
Breakout force	kgf (lbf)	3200 (7054)
Dump height (max)	mm (ft-in)	4690 (15-5)
Dump angle at max height	degrees	35
Loadover height (max)	mm (ft-in)	5090 (16-8)
Rollback angle at ground	degrees	45
Carriage rotation angle (total)	degrees	150
Payload (max)	kg (lb)	1260 (2777)
Bucket width	mm (ft-in)	1720 (5-9)

ENGINE

Latest technology and advanced design provides low fuel consumption, reduced noise, high torque and power output, total reliability and minimal maintenance.

Two-stage, dry type air filter with primary and safety elements and pre cleaner.

Easily replaceable pre-finished dry liners, five bearing, heat treated crankshaft. Expansion controlled pistons.

Displacement	ltr (in ³)	4.20 (256)
No. of cylinders		4
Bore size	mm (in)	103 (4.06)
Stroke	mm (in)	127 (5)
Aspiration		Naturally aspirated
Power rating @ 2000rpm		
Gross SAE J1349	kW (HP)	61.5 (83)
Torque rating @ 1200rpm		
SAE J1349	Nm (lbf ft)	290 (214)
Noise level directive 2000/14/EC	dBA	104

TRANSMISSION

JCB Syncro Shuttle transmission incorporating torque converter, reversing shuttle and all synchromesh 4-speed gearbox in one resiliently mounted unit.

Electro-hydraulic direction control through a steering column mounted switch for modulated forward/reverse shuttling.

Gear lever and loader control transmission disconnect switches for fast gear changing.

Travel speed 30km/h (18mph)

Front and rear drive axles: Epicyclic hub reduction type with drop box on front axle. 4WS and permanent 4WD.

BRAKES

Service brake: Hydraulically activated, power assisted multi disc type brakes. They are oil immersed for long life and fade free braking. Mounted within the planetary hub means that the brakes are direct acting to each wheel, greatly increasing deceleration and eliminating skid potential.

Parking brake: Electro/hydraulically operated oil immersed multi disc brake on the transmission output shaft and will hold the machine on 1 in 4 gradients.

BOOM AND CARRIAGE

Boom is manufactured from high tensile steel.

Low maintenance, hard wearing pads.

JCB tool carrier parallel lift carriage with pin locking, accepts forkframe with integral pallet forks and a wide range of attachments.

SERVICE CAPACITIES

	litres (UK gal)
Fuel tank	90 (19.5)
Hydraulic tank	70 (15.5)
Coolant	14 (3.7)

ELECTRICS

12 V negative earth, 92 AH heavy duty battery with isolator. 65 amp alternator. Full road lighting, directive indicators, hazard warning.

HYDRAULICS

Machine model		520-50
Operating system pressure	bar (psi)	241 (3500)
Flow at system pressure (@ 2200rpm)	ltr/min	65
Cycle times		seconds
Boom raise		7.4
Boom lower		5.3
Extend		5.7
Retract		3.2
Bucket dump		2.3
Bucket crowd		3.2

SAFETY CHECK VALVES

Fitted to carriage tilt, telescopic and boom lift rams.

CAB

Quiet, safe and comfortable cab conforms to ROPS 86/295/EEC and FOPS 86/296/EEC Directives. Toughened glass all round. Tinted with laminated roof screen. Roof bars, front screen and roof screen wipers and heater/screen demister. Rear opening window with wash/wipe. Audio-visual warning system for coolant temperature, engine oil pressure, air-cleaner, battery charge, transmission oil temperature and pressure. Hourmeter and tachometer. Multi lever direct acting hydraulic control levers with joystick control of lift and crowd, gear lever, parkbrake. Throttle and brake pedals. Adjustable deluxe suspension seat fitted with levelling indicator.

Load moment indicator: Automatic eye level audio-visual safe load indicator warning system receiving a signal from a load sensor housed on the rear axle. This system continuously monitors the machine's forward stability and leaves the operator in control at all times.

STEERING

Full power hydrostatic steering. Permanent 4WS with 32° lock front and rear axles provides exceptional manoeuvrability. 4WS is provided by a steer priority flow from the main hydraulic pump. Flow is directed through a steer alignment valve to double acting steer rams (1 per axle).

Steering option: Three steer mode options: front wheel steer; all wheel steer; crab steer; operated from in the cab by a selection switch, with automatic alignment.

OPTIONS AND ACCESSORIES

Options: Low cab, working lights, reversing light, reverse alarm, rotating flashing beacon, fire extinguisher, front screen guard, mechanical or hydraulic tow hitch for maximum gross weight of 5 tonnes. Complete with trailer light socket and trailer tip hydraulics, hydraulic pin locking for attachments, boom end auxiliary service. Low ground pressure bearing tyres, front and rear limited slip differential axles.

Attachments: 520-50 is available with hydraulic quickhitch. Contact your local dealer for details of the comprehensive range.

A GLOBAL COMMITMENT TO QUALITY

JCB's total commitment to its products and customers has helped it grow from a one-man business into Britain's largest privately owned manufacturer of backhoe loaders, crawler excavators, wheeled excavators, telescopic handlers, wheeled loaders, dump trucks, rough terrain fork lifts, industrial fork lifts, mini/midi excavators, skid steer loaders and tractors.

By making constant and massive investments in the latest production technology, the JCB factories have become some of the most advanced in Europe.

By leading the field in innovative research and design, extensive testing and stringent quality control, JCB machines have become renowned all over the world for performance, value and reliability.

And with a global sales and service network of over 400 distributors and agents, the company exports over 70% of its production to all five continents.

Through setting the standards by which others are judged, JCB has become one of Britain's most impressive success stories.

